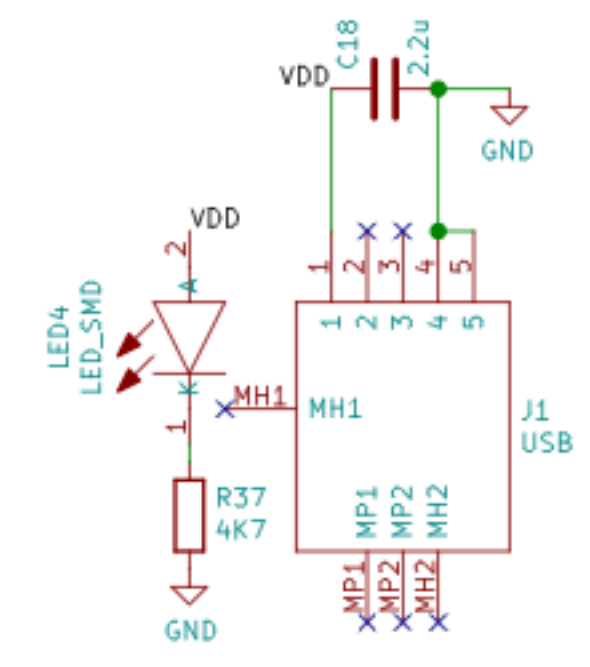


- LOG01 High Voltage
- LOG02 High Voltage
- L4 VDDTECH
- L2 VDDTECH
- L3 Logo_text_EVK01
- MH
- MH
- MH
- MH



VDDTECH does not warrant the accuracy of this specification or any information contained in this schematic. VDDTECH does not warrant that this design is production ready. You shall completely validate and test your implementation to confirm the system functionality for your application. VDDTECH is not accountable for any human or material damage that might be caused by this demo-board.

VDDTECH Control your Power		
Sheet: /		
File: EVK01.sch		
Title: EVK01		
Size: A3	Date: 2021-12-10	Rev: 1.0
KiCad E.D.A. kicad (5.1.12-1-10_14)		Id: 1/1